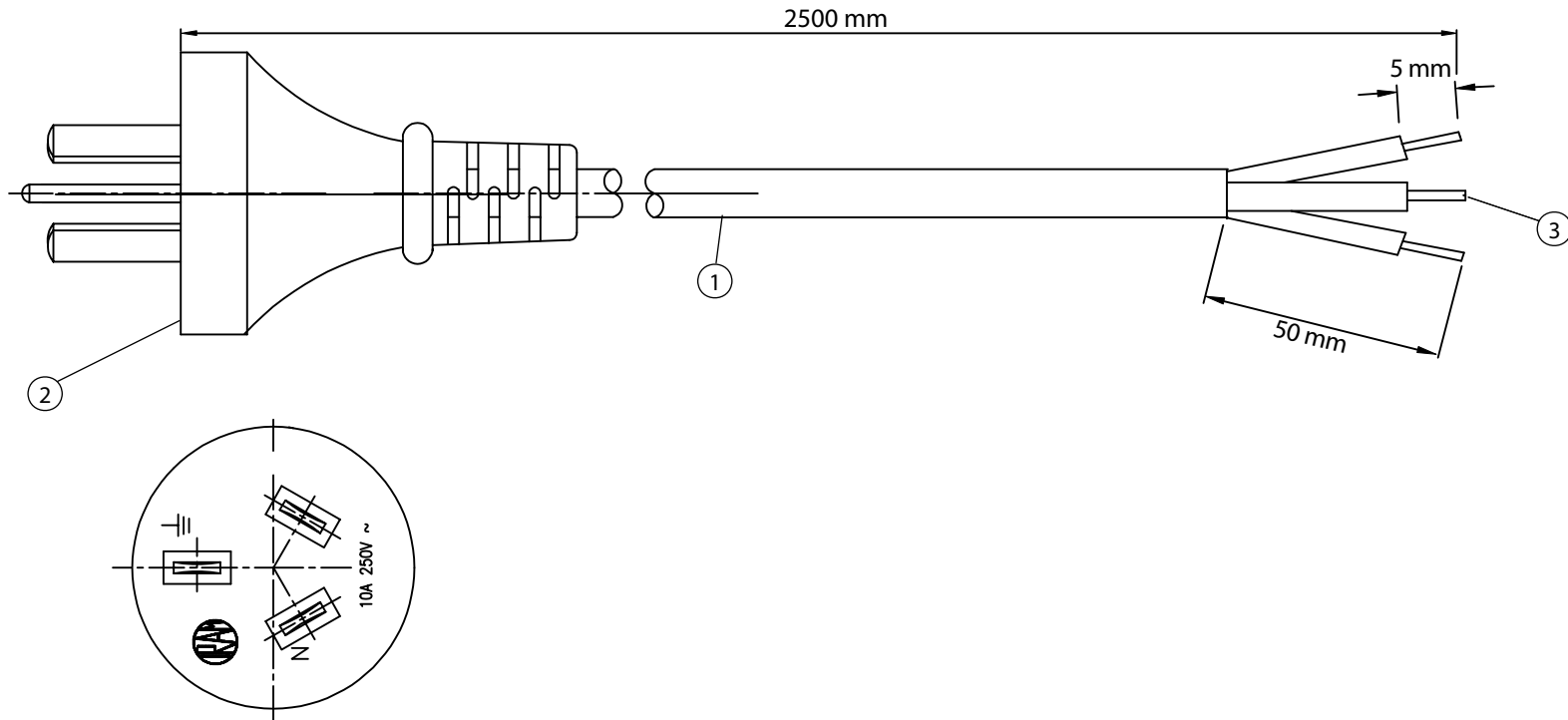


THESE DRAWINGS ARE THE PROPERTY OF QUALTEK ELECTRONICS AND NOT TO BE REPRODUCED FOR OR COMMUNICATED TO A THIRD PARTY WITHOUT THE EXPRESS WRITTEN PERMISSION OF AN OFFICER OF QUALTEK ELECTRONICS.

| REVISION | | | |
|----------|-------------|------|----------|
| REV. | DESCRIPTION | DATE | APPROVED |
| | | | |
| | | | |
| | | | |



CONTROLLED

NOTES:

1. CORDAGE: H05VV-F, 3 X 1.0mm, UNSHIELDED, CEE COLOR CODE, TEMP. RATING 70°C, RATING: 250V 10A, JACKET COLOR: BLACK
2. PLUG: IRAM2073
3. OTHER END: ROJ 50mm, STRIP 5mm
4. APPROVALS: IRAM
5. ROHS COMPLIANT

| Dim range (mm) | | Tolerance +/- (mm) | | Qualtek Electronics Corp. PPC DIVISION | | |
|----------------|------|-------------------------|--|---|--|----------------|
| 0-1 | 0.15 | Part Number: 390001-01 | | RoHS Compliant | | |
| 1-6 | 0.20 | Description: POWER CORD | | | | |
| 6-18 | 0.30 | UNIT: mm | | | | |
| 18-50 | 0.50 | Drawn / Date | | | | |
| 50-120 | 0.70 | Checked / Date | | | | |
| 120-250 | 0.90 | Approved / Date | | | | |
| 250-500 | 1.20 | R.Nuti 09-04-07 | | 09-04-07 | | JJH / 09-04-07 |